

Heavy Duty

GCC

Sliding Wall Systems

Parking and Stacking

Worldwide Patented

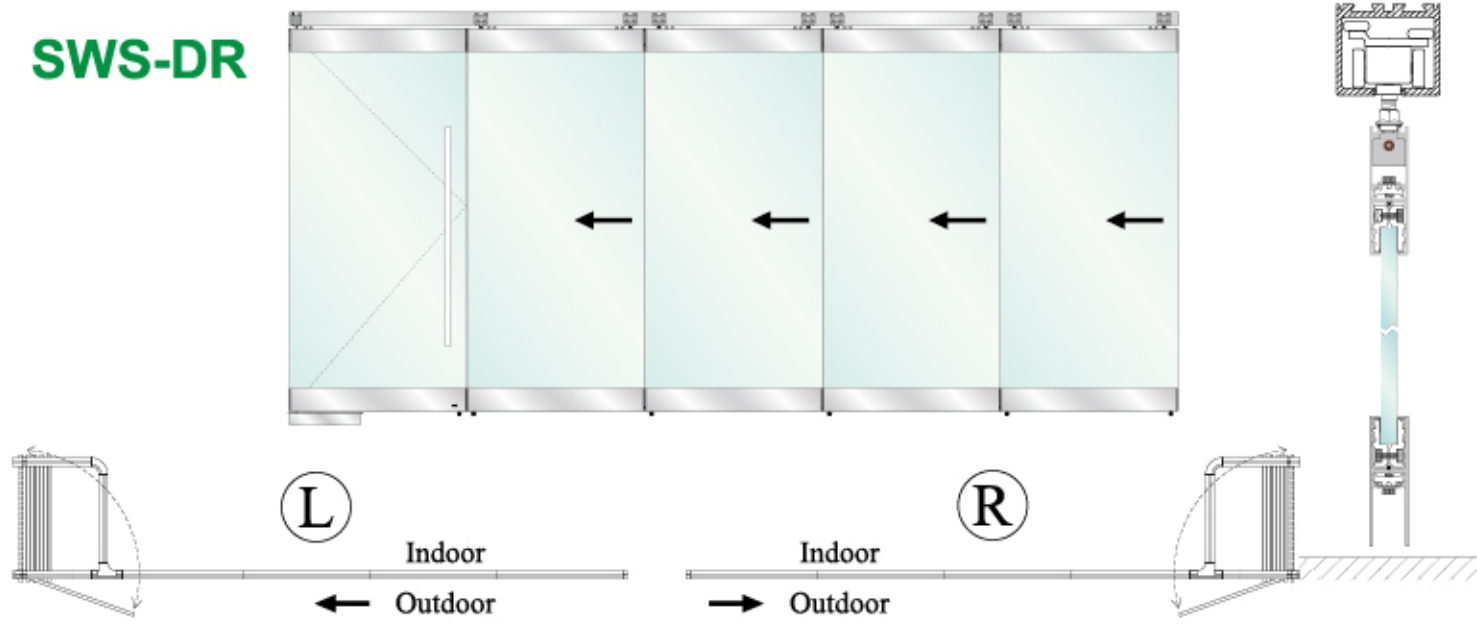


SWS-PF

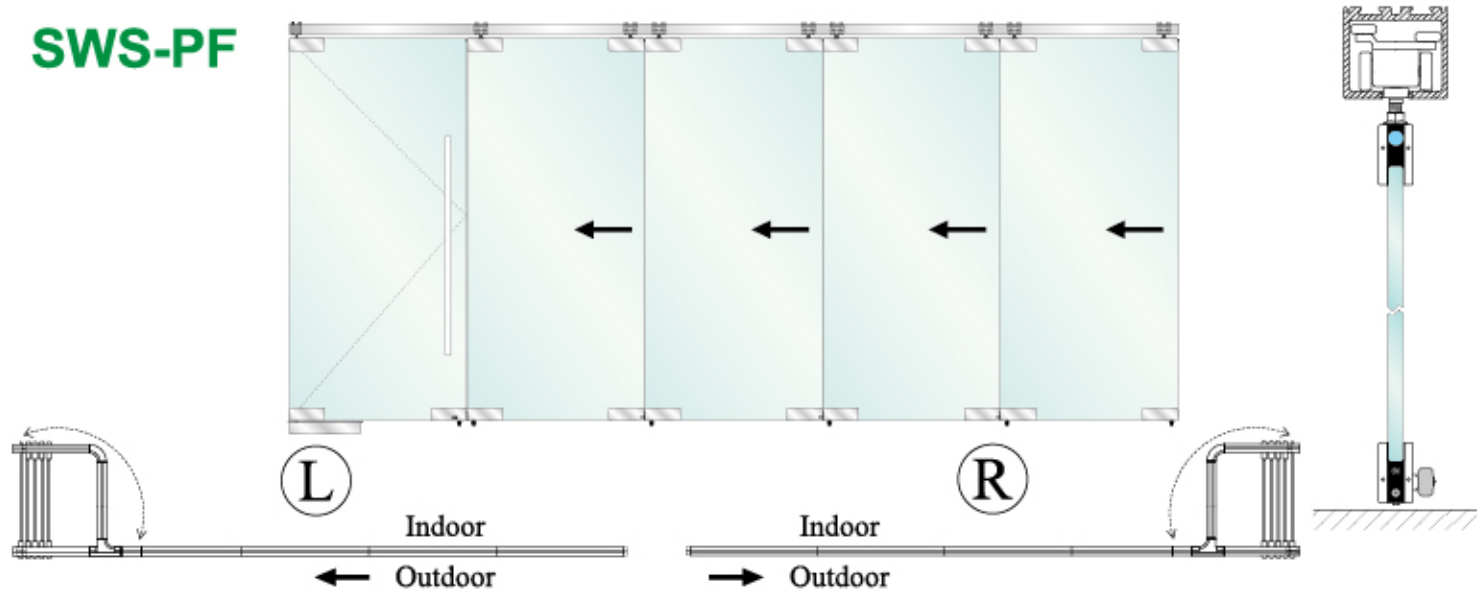
SWS-DR

GCC Sliding Wall Systems has two standard types for fully glazed panels in SWS-DR and SWS-PF design, but also can be used in Wooden Door, Metal Door, Aluminium Frame Door and Fire Approved Door panels....etc.

SWS-DR



SWS-PF



Suitable For:

- Aluminium Frame Door Panel.
- Frameless Glass Door Panel.
- Fire Approved Door Panel.
- Steel Door Panel.
- Wooden Door Panel.

Applications:

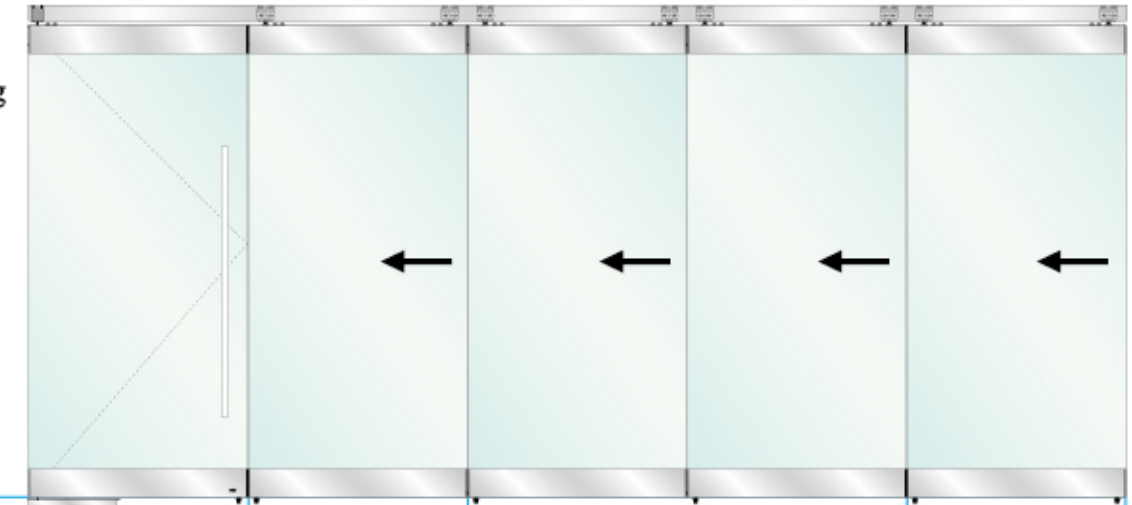
- Automobile Showroom.
- Banquet Halls.
- Convention Centers.
- Retail and Mall Storefronts.
- Restaurants and Eateries.



Panel types and functions

SWS-DR

- Fully glazed sliding walls with top & bottom rails.



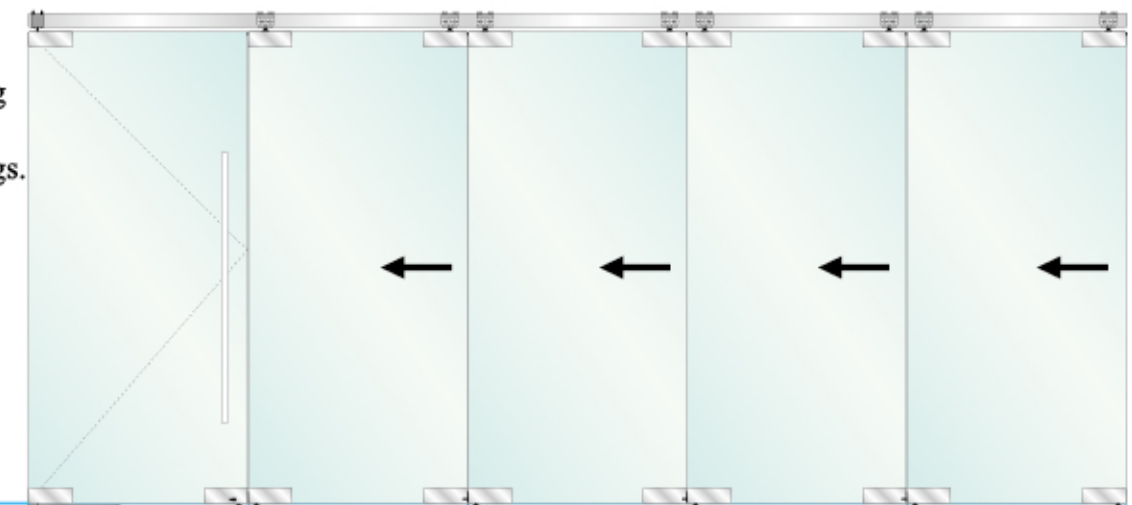
- Non-Sliding panel.
- Double action panel with **GCC** 9115 free pivot or GTS-650, or GTS-840 floor springs.
- DRL5025 A/B lock when frontage closed.
- Sliding panel fixed with a flush bolt (DFB-101S /DFB-102S). When frontage closed.
- Sliding panel fix with a flush bolt (DFB-101ST/DFB-102ST). When frontage closed.
- Sliding panel fixed with a flush bolt (DFB-101S /DFB-102S). When frontage closed.

Max. Panel Height	4000mm	4000mm	4000mm	4000mm	4000mm
Max. Panel Width	1250mm	1250mm	1250mm	1250mm	1250mm
Max. Panel Weight	150kgs	150kgs	150kgs	150kgs	150kgs

Panel types and functions

SWS-PF

- Fully glazed sliding walls with top & bottom patch fittings.

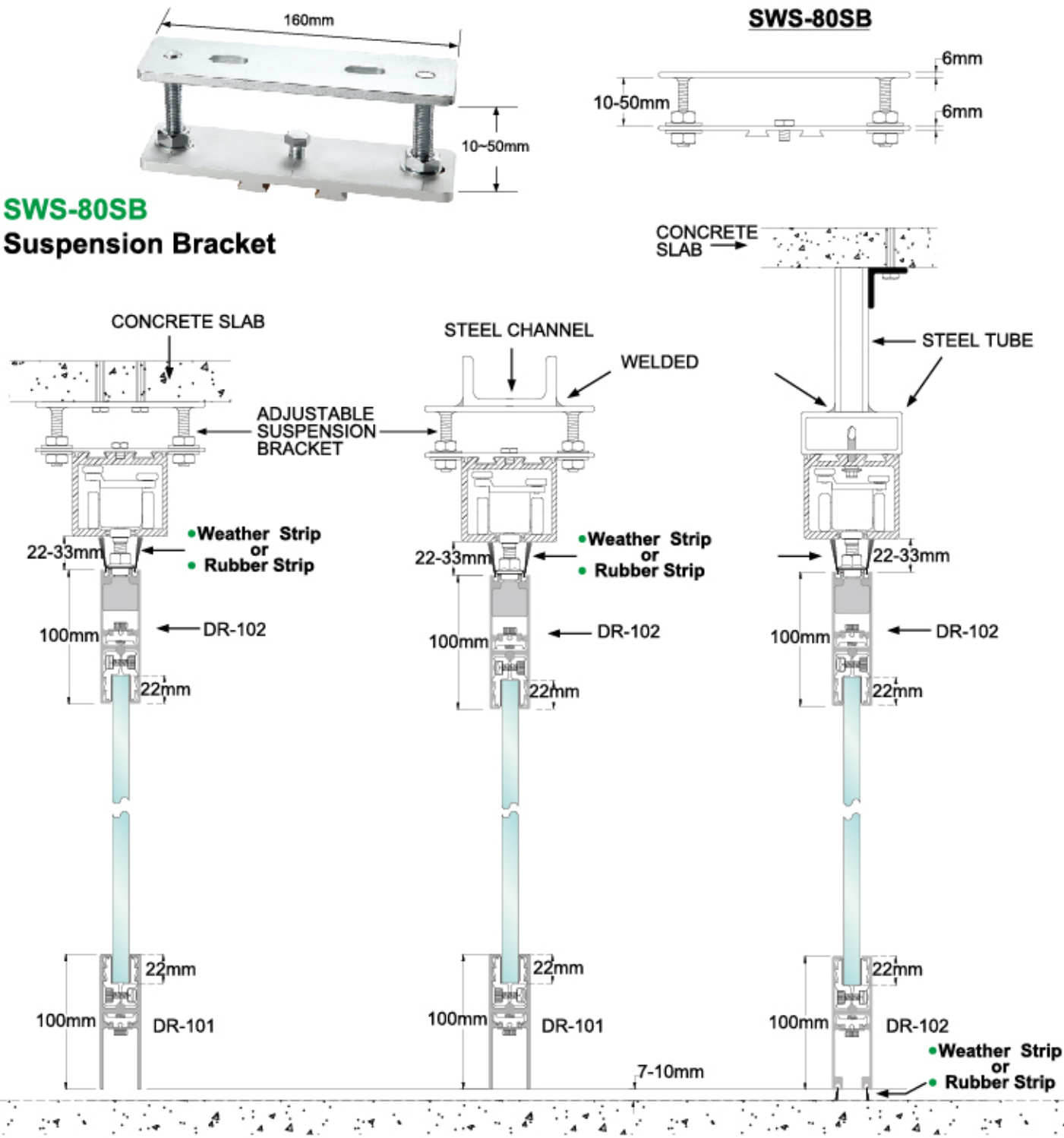


- Non-Sliding panel.
- Double action panel with **GCC** GT-10 bottom fitting, GT-20 top fitting for 9115 free pivot or GTS-650, GTS-840 floor springs.
- GL-10 corner lock when frontage closed.
- Sliding panel fixed with a corner lock (GL-10L/GL-10R). When frontage closed.
- Sliding panel fixed with a bottom end-mounted bolt (GLB-10R /GLB-10L & GLK-10). When frontage closed.
- Sliding panel fixed with a corner lock (GL-10L/GL-10R) & a bottom end-mounted bolt (GLB-10R/GLB-10L). When frontage closed.

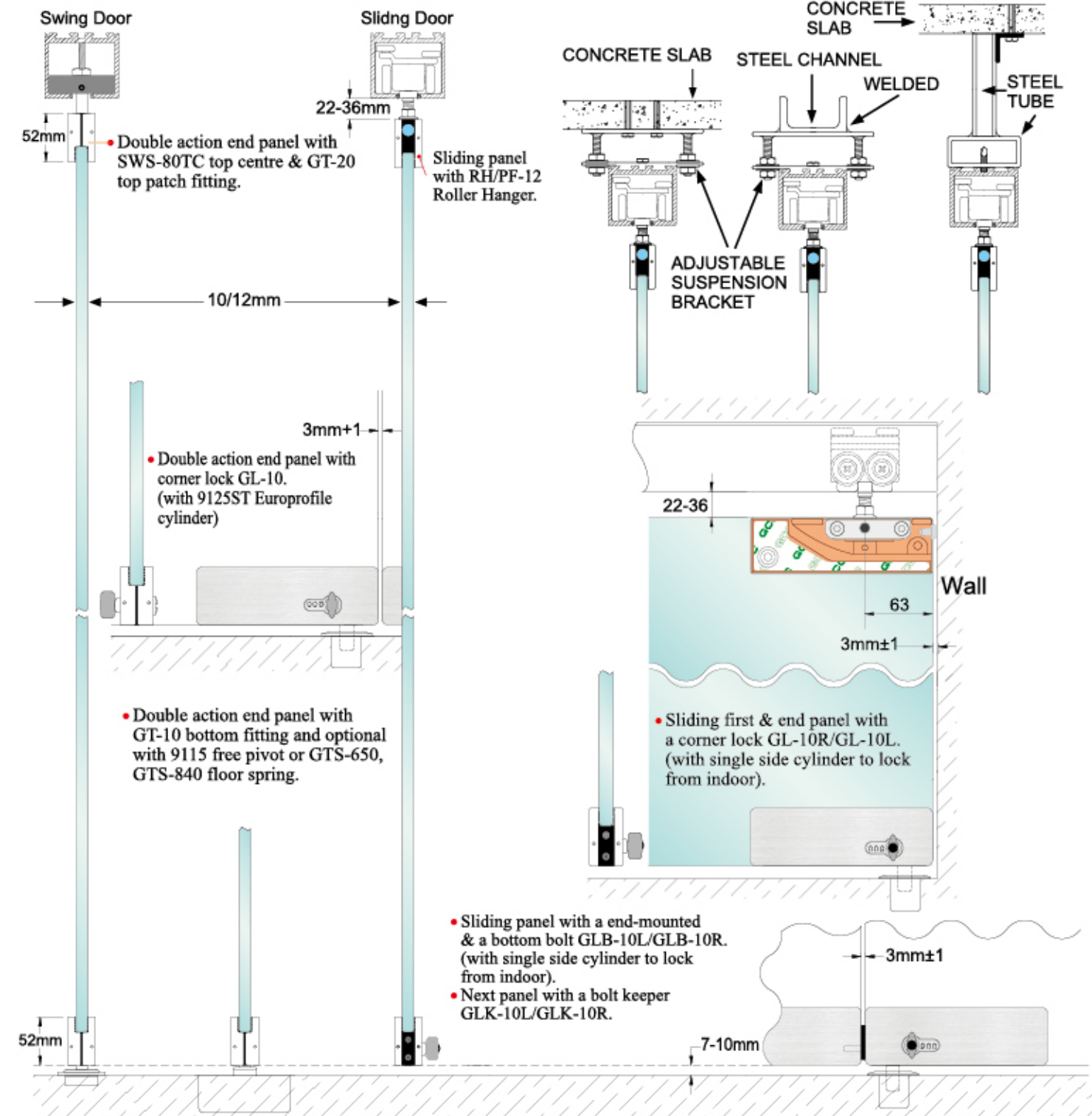
Max. Panel Height	3000mm	3000mm	3000mm	3000mm	3000mm
Max. Panel Width	1000mm	1000mm	1000mm	1000mm	1000mm
Max. Panel Weight	85kgs	85kgs	85kgs	85kgs	85kgs

SWS-DR Installation Instruction

SWS-80SB Suspension Bracket

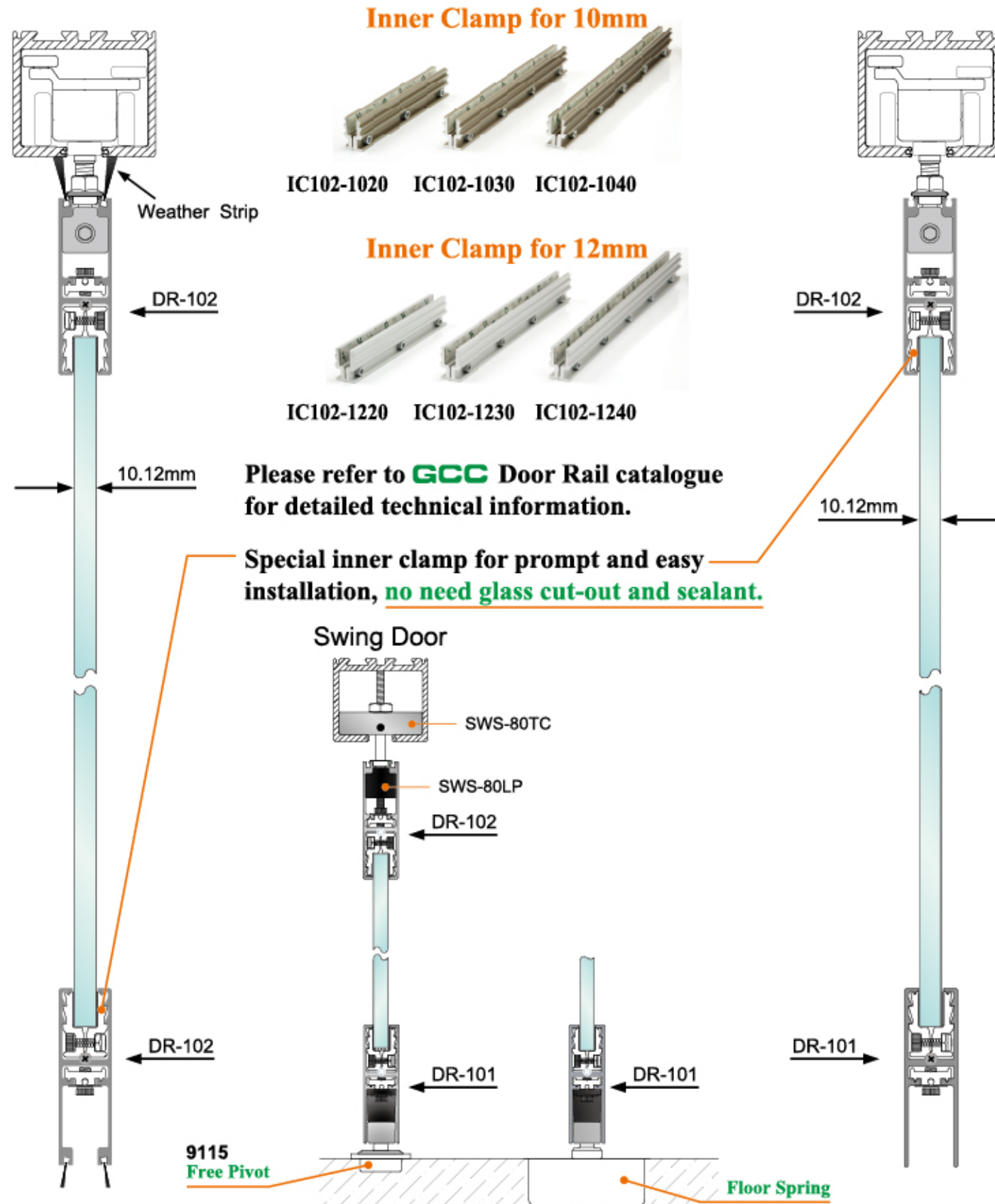


SWS-PF Installation Instruction

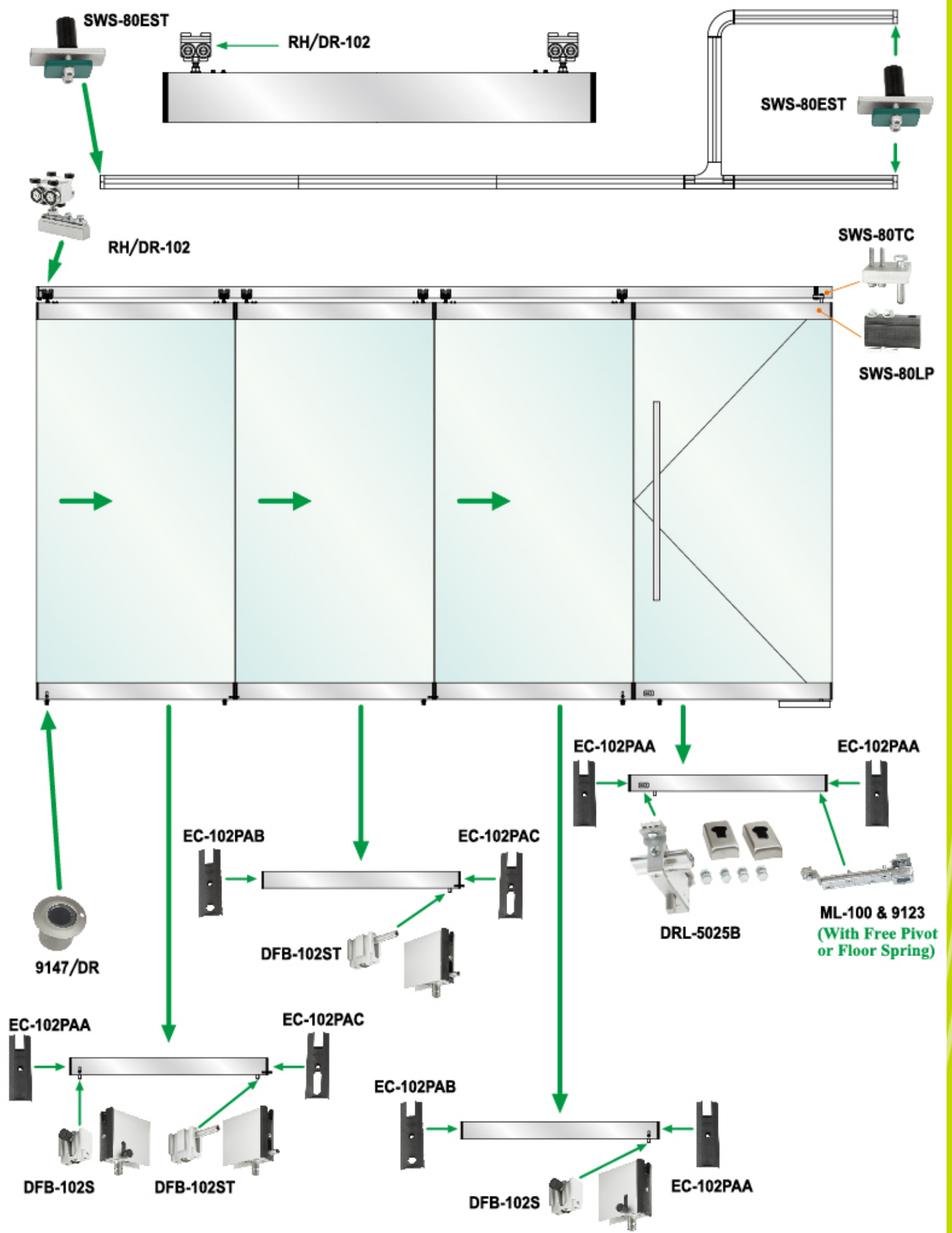


SWS-DR Door Rail DR-101 & 102

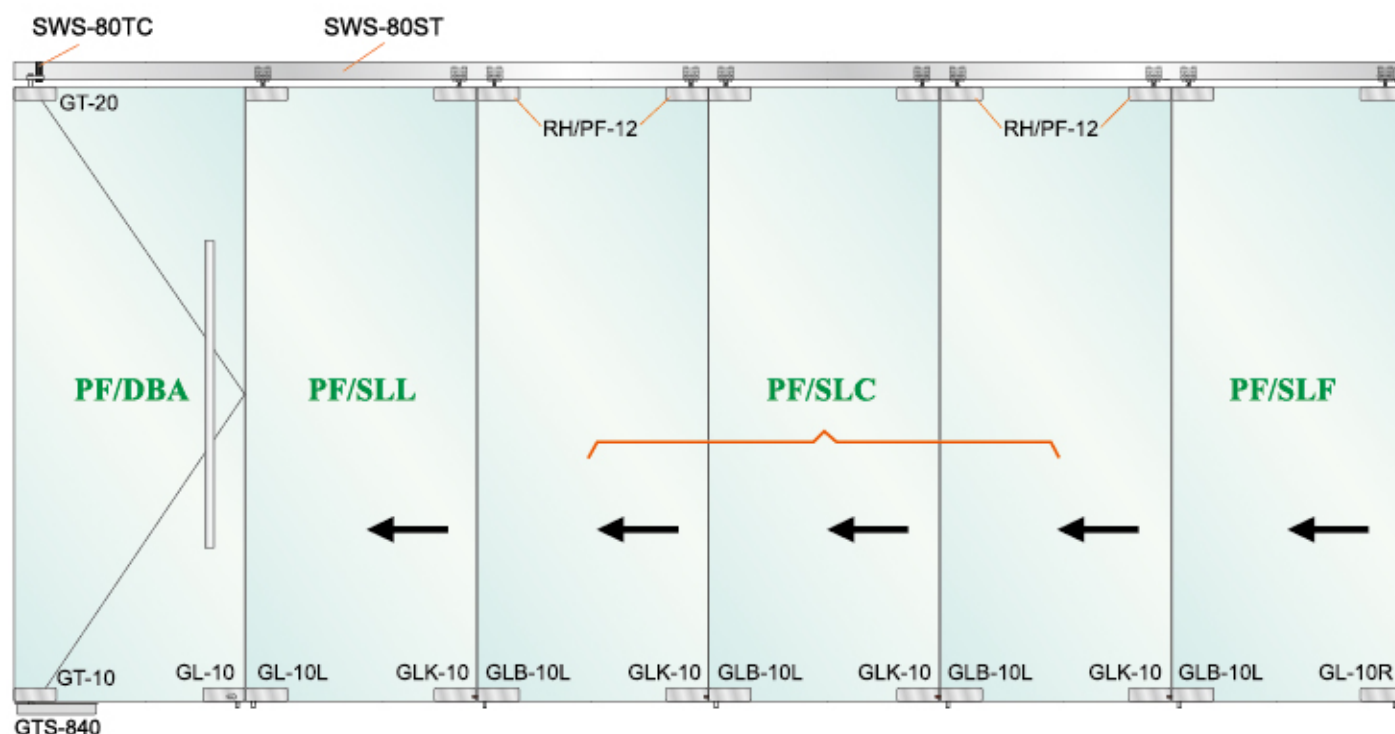
GCC DR-102 door rail is designed for sliding door by using Roller Hanger RH/DR-102, perfect for top rail with special groove for weather strips, without extra aluminium profile, also suitable for bottom rail.
If weather strip is not required for bottom rail, we suggest using DR-101 at the bottom, DR-101 & DR-102 are basically same on size and installation way.



SWS-DR Complete Accessories



SWS-PF(L) Complete Accessories



View from indoor



View from outdoor



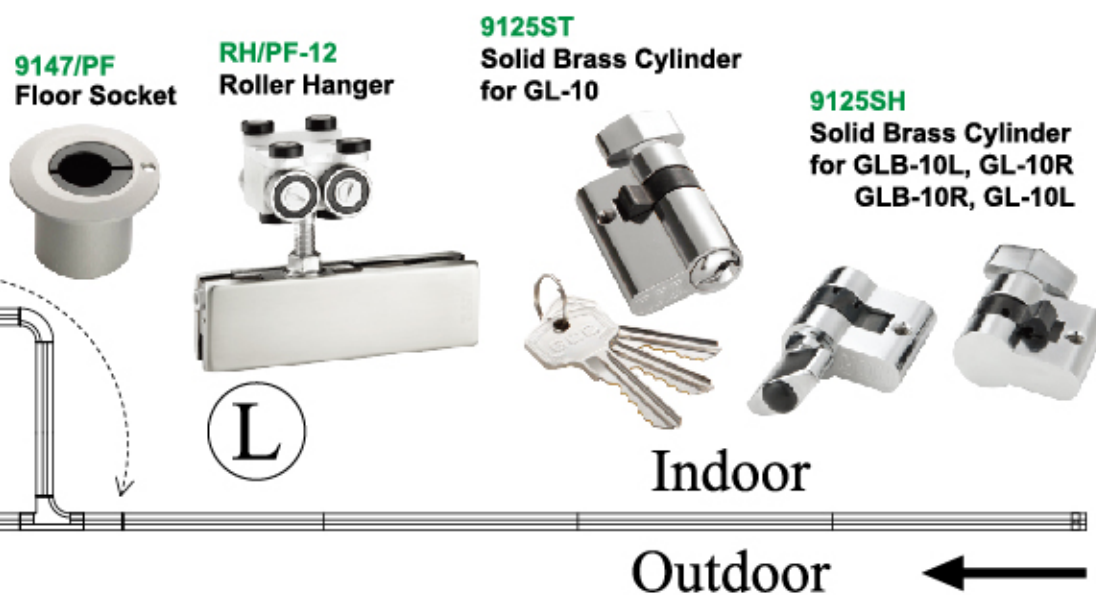
The stacking/parking area for the above drawing is on the **Left side** (look from outdoor)

GCC SWS-PF series can have a stacking/parking area on left or right side, for better outside looking and safety purpose, we suggest using a corner lock with key cylinder outside and thumbturn cylinder inside (without key) for the double action swing door. For sliding panels, only need single side thumbturn cylinder inside (without key), no cylinder outside, so two different cylinder for left or right corner lock is available, GLB-10L is a corner lock for left side and GLB-10R is for right side.

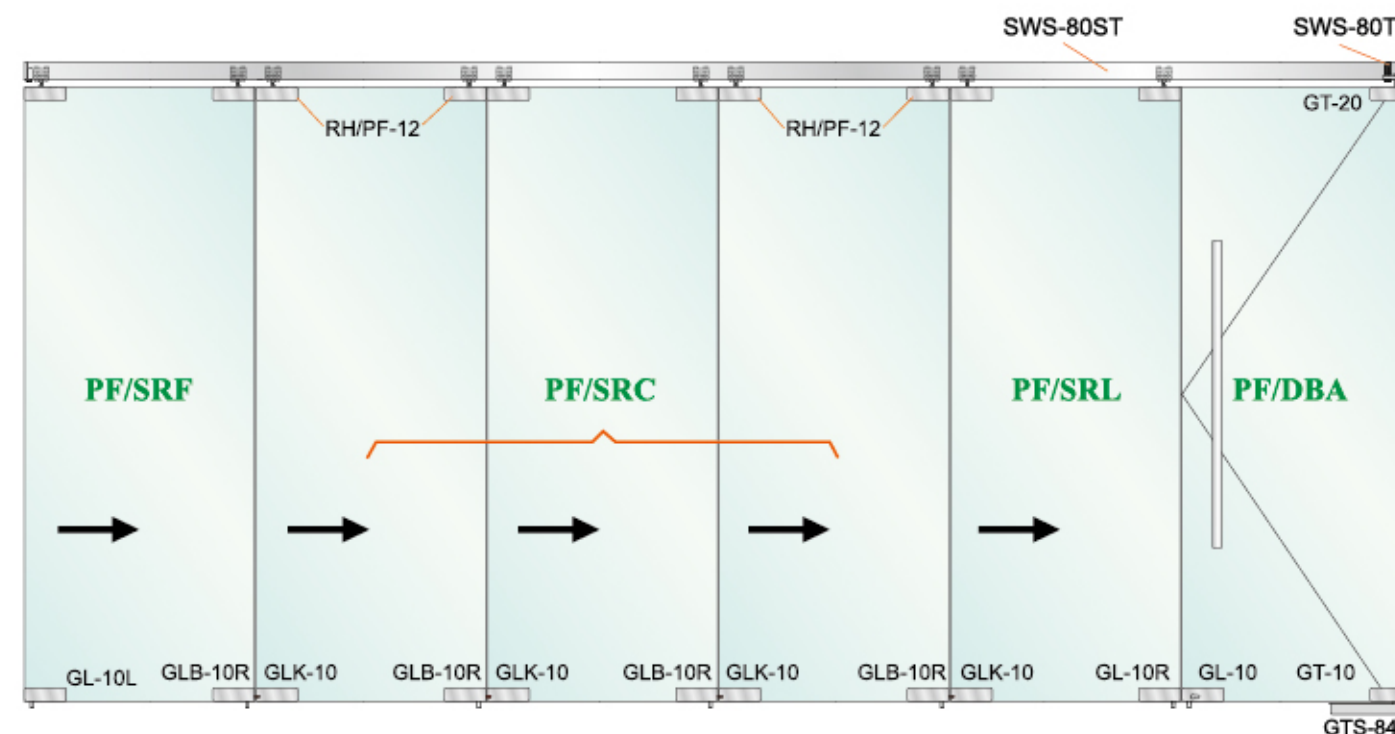
GCC patch fittings use the same notches at the top, bottom & the corners to avoid confusion and mistake on glass cut-out (see page 13).

Ordering Code:

- PF/DBA:** (SWS-80TC, GT-10, GT-20, GL-10, 9147/PF)-Double action end panel.
- PF/SLL:** (RH/PF-12, GL-10L, GLK-10, 9147/PF)-Sliding last panel.
- PF/SLC:** (RH/PF-12, GLB-10L, GLK-10, 9147/PF)-Sliding centre panel.
- PF/SLF:** (RH/PF-12, GLB-10L, GL-10R, 9147/PF)-Sliding first panel.



SWS-PF(R) Complete Accessories



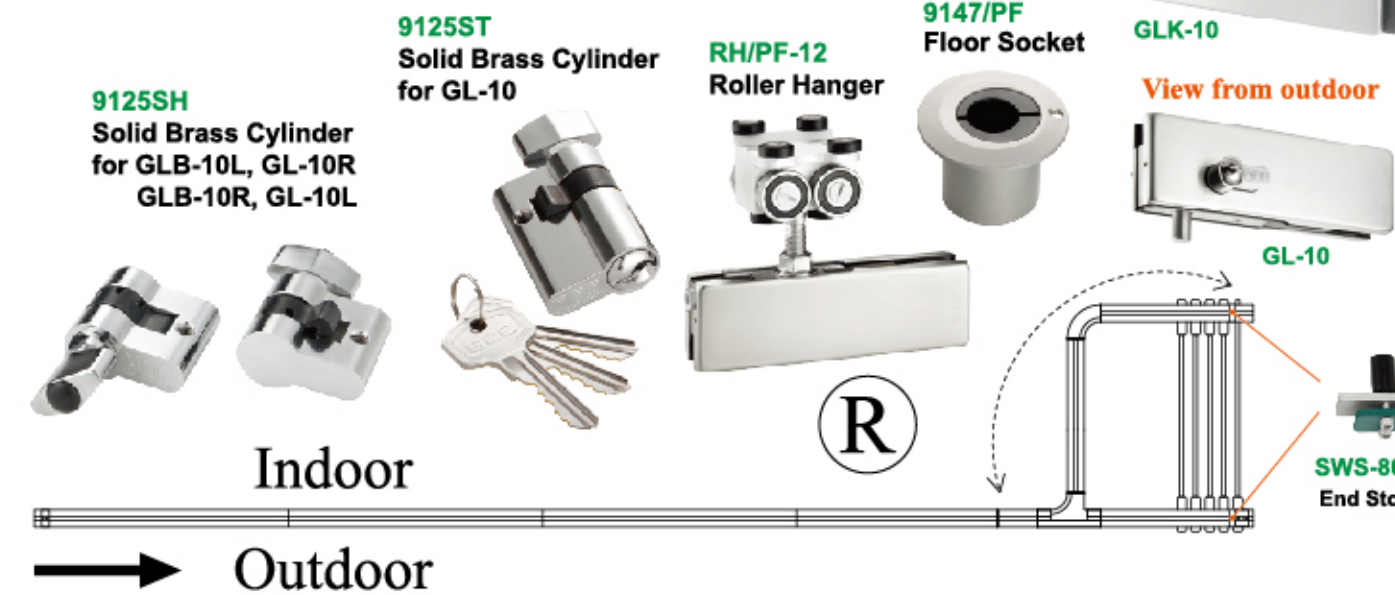
The stacking/parking area for the above drawing is on the **Right side** (look from outdoor)

GCC SWS-PF series can have a stacking/parking area on left or right side, for better outside looking and safety purpose, we suggest using a corner lock with key cylinder outside and thumbturn cylinder inside (without key) for the double action swing door. For sliding panels, only need single side thumbturn cylinder inside (without key), no cylinder outside, so two different cylinder for left or right corner lock is available, GLB-10L is a corner lock for left side and GLB-10R is for right side.

GCC patch fittings use the same notches at the top, bottom & the corners to avoid confusion and mistake on glass cut-out (see page 13).

Ordering Code:

- PF/DBA:** (SWS-80TC, GT-10, GT-20, GL-10, 9147/PF)-Double action end panel.
- PF/SRL:** (RH/PF-12, GL-10R, GLK-10, 9147/PF)-Sliding last panel.
- PF/SRC:** (RH/PF-12, GLB-10R, GLK-10, 9147/PF)-Sliding centre panel.
- PF/SRF:** (RH/PF-12, GLB-10R, GL-10L, 9147/PF)-Sliding first panel.



View from indoor

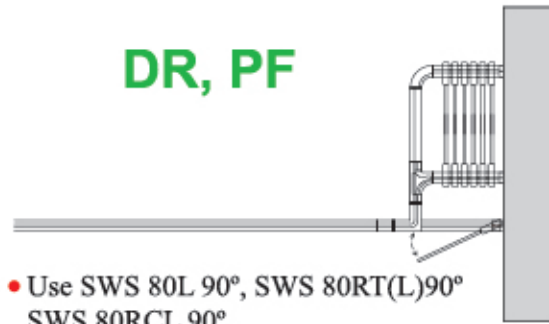


View from outdoor



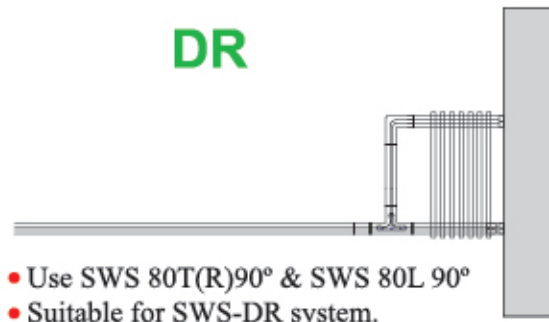
Typical Stacking Tracks for Panels

DR, PF



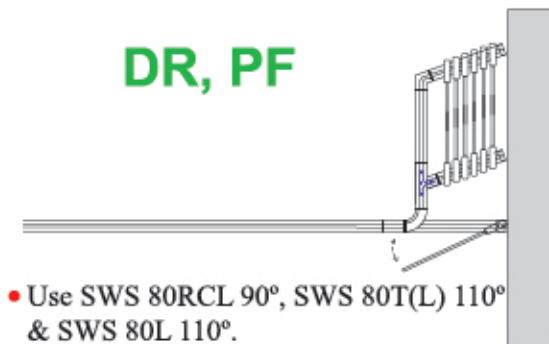
- Use SWS 80L 90°, SWS 80RT(L)90° & SWS 80RCL 90°.
- Suitable for SWS-DR & SWS-PF systems.

DR



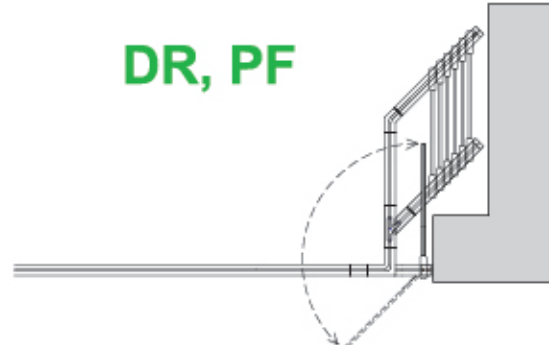
- Use SWS 80T(R)90° & SWS 80L 90°
- Suitable for SWS-DR system.

DR, PF



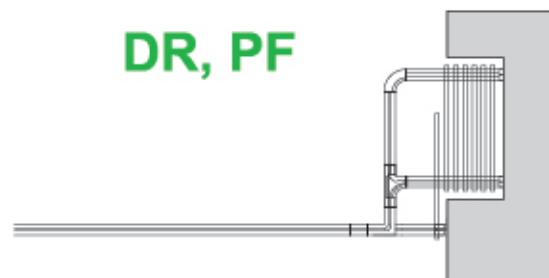
- Use SWS 80RCL 90°, SWS 80T(L) 110° & SWS 80L 110°.
- Suitable for SWS-DR & SWS-PF system.

DR, PF



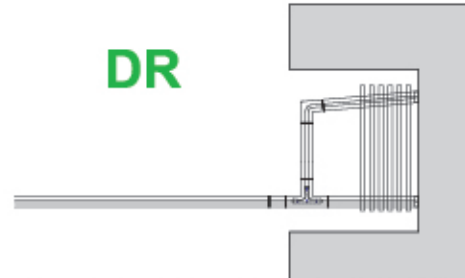
- Use SWS 80L 90° & SWS 80T(L)135° & SWS 80L 135° .
- Suitable for SWS-DR & SWS-PF systems.

DR, PF



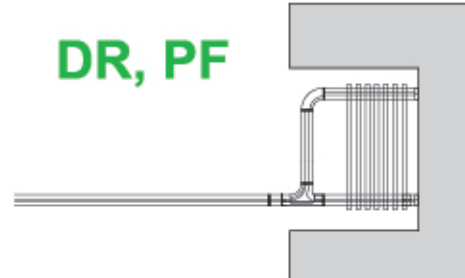
- Use SWS 80L 90°, SWS 80RT(L) 90° & SWS 80RCL 90° .
- Suitable for SWS-DR & SWS-PF systems.

DR



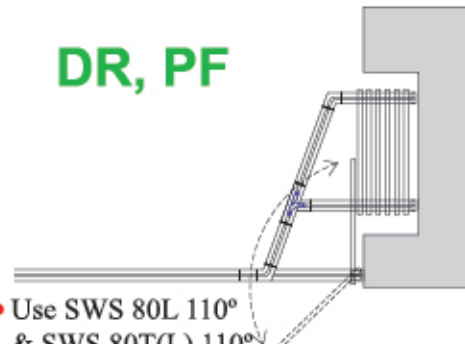
- Use SWS 80T(R)90° & SWS 80L 95°
- Suitable for SWS-DR system.

DR, PF



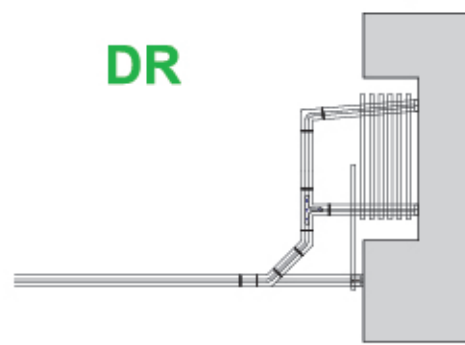
- Use SWS 80RT(R)90° & SWS 80RCL90°
- Suitable for SWS-DR & SWS-PF systems.

DR, PF



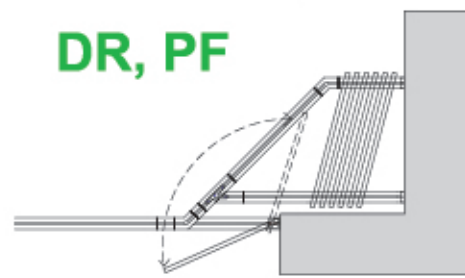
- Use SWS 80L 110° & SWS 80T(L) 110°
- Suitable for SWS-DR & SWS-PF systems.

DR



- Use SWS 80L135° & SWS 80T(L) 90° & SWS 80L 95°
- Suitable for SWS-DR system.

DR, PF



- Use SWS 80L 135°, SWS 80T(L) 135° & SWS 80L 135°
- Suitable for SWS-DR & SWS-PF systems.

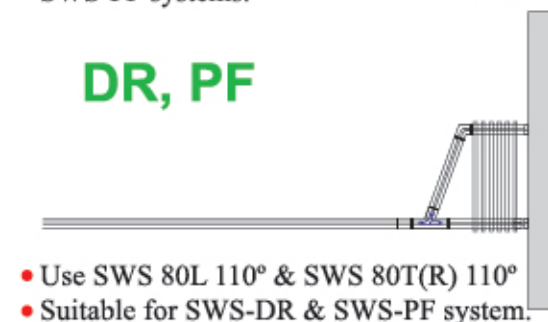
Typical Stacking Tracks for Panels

DR, PF



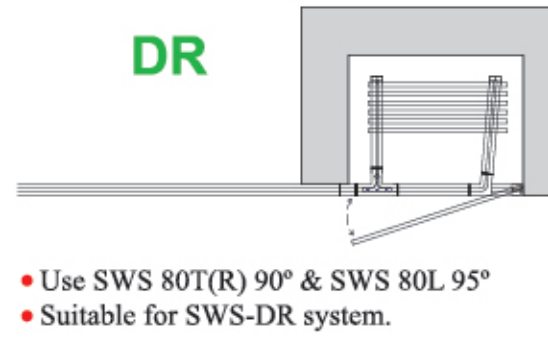
- Use SWS 80RT(R) 90°, SWS 80RCL 90°
- Suitable for SWS-DR & SWS-PF systems.

DR, PF



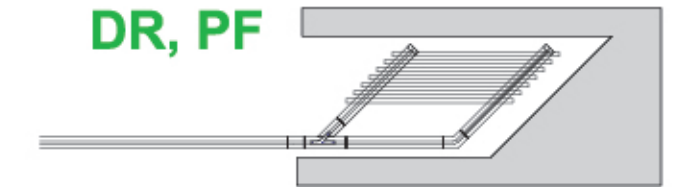
- Use SWS 80L 110° & SWS 80T(R) 110°
- Suitable for SWS-DR & SWS-PF system.

DR



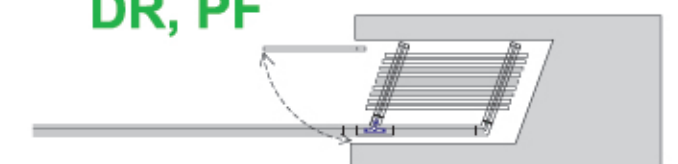
- Use SWS 80T(R) 90° & SWS 80L 95°
- Suitable for SWS-DR system.

DR, PF



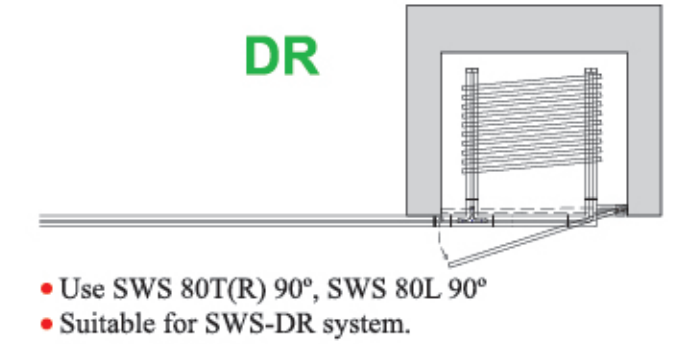
- Use SWS 80T(R) 135°, SWS 80L 135°
- Suitable for SWS-DR & SWS-PF systems.

DR, PF



- Use SWS 80T(R) 110° , SWS 80L 110°
- Suitable for SWS-DR & SWS-PF system.

DR



- Use SWS 80T(R) 90°, SWS 80L 90°
- Suitable for SWS-DR system.

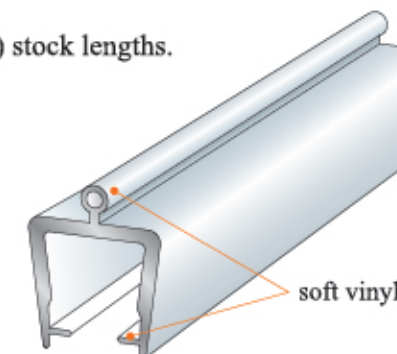
Special stacking upon requirement.

Clear PVC Seals (Optional)

"U" Jamb With Bubble

- The circulation of air between indoors and outdoors can be limited, as such, the temperature to the air-conditioned room or building is maintained, dirt and dust is prevented from entering the room or building, and the edge of the frameless door panel is also protected (Fix to single edge only).
- Supplied in 3000mm(3 meters) stock lengths.
- Snap on to the glass.

Code No.	Glass Thick
PU10BS	10mm(3/8")
PU12BS	12mm(1/2")





In the field of architectural fittings for aluminum & tempered glass doors. both high quality and total design flexibility are essential criteria together with ease of installation, safety and function.

GCC full range of fittings are aesthetically designed and manufactured to provide practicality and security to tempered glass assemblies, such as Tempered Glass Door Fittings, PVC Seals W/Weather Strips, Glass Clamps, Shower Door Hinges, Handles & Knobs, PVC Seals & Wipes and Reinforcement Bars for Shower Screen. Door Rails, Pivoting Door systems, office partition systems, Lever Hinges & Locks, Heavy-Duty Sliding Wall systems, Heavy Duty Sliding & Folding Door System, Floor Spring, Concealed Overhead Door Closer, Glass Connectors....etc. For details welcome to visit our website at www.gccintw.com.tw

GCC will be happy to help your special requirements, for any doubts, please contact your nearest **GCC** distributors for any technical assistance on parts and services, or contact us directly.

If you are looking for high quality products, **GCC** is your best choice.



Agent/ Distributor



GOOD CREDIT CORPORATION

No.13, Longmen Rd., Situn Dist., Taichung 40757, Taiwan

E-mail: gcctw@ms7.hinet.net

TEL: 886-4-22583755(Hunting Line)

FAX: 886-4-22583753

<http://www.gccintw.com.tw>

